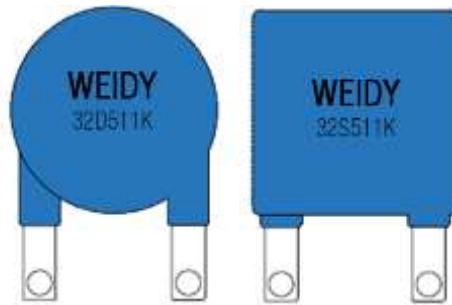


功率型压敏电压器

Power Type Zinc Oxide Varistors



特点

- 最大持续工作电压为：130-1000VAC
- 通流量（8/20 μ s）：15kA 到 70kA
- 吸收能量（10/1000 μ s）：250J 到 2500J
- 操作温度范围从-40 $^{\circ}$ C到+85 $^{\circ}$ C
- 储存温度高达 125 $^{\circ}$ C
- 反应时间小于 25ns
- 绝缘电阻超过 1000M Ω
- 适用于 UL 1449 第 3 版 SPD 第 2 类应用

用途

- 用于保护晶体管、二极管、IC、晶闸管或者可控硅等半导体器件
- 用于保护低压配电盘和控制盘
- 用于吸收继电器、电磁真空管等的电涌
- 应用广播、通讯设备、交通/铁路、农业设施、供水设施的浪涌吸收
- 用于保护远程自动控制装置

Features

- Maximum continuous operating voltage: 130-1000VAC
- Withstanding surge current for 8/20 μ s current wave: 20kA to 70kA
- Absorbs energy range for 10/1000 μ s: 250J to 2500J
- Operation Temperature: -40 to +85 $^{\circ}$ C
- Storage Temperature up to +125 $^{\circ}$ C
- Typical response time: <25ns
- Insulation resistance: >1000M Ω
- UL 1449 3rd for SPD Type 2 application

Applications

- Transistor, diode, IC, thyristor or triac semiconductor protection
- Surge protection in industrial power plant operations
- Relay or electromagnetic valve surge absorption
- Surge absorption applications in broadcasting, communications devices, traffic/railroad, agricultural facilities, and waterworks
- Surge protection of automatic control devices for power distribution line

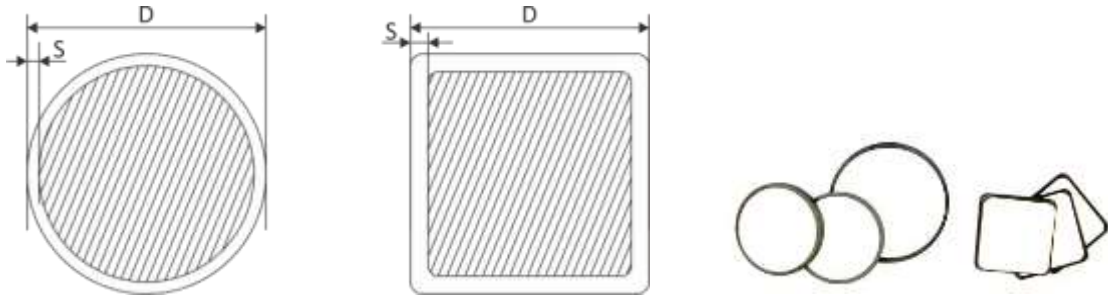
WSP 型压敏电阻器结构形式 WSP type varistor structure

瓷片型压敏电阻器

- 提供未组装的压敏电阻片，供用户按其需要组装
- 组装时，电极可焊接，也可压力接

Ceramic chip varistor

- Unpackaged ceramic chips of varistor for unique packing by customers
- Solder able electrode finish or pressure contact



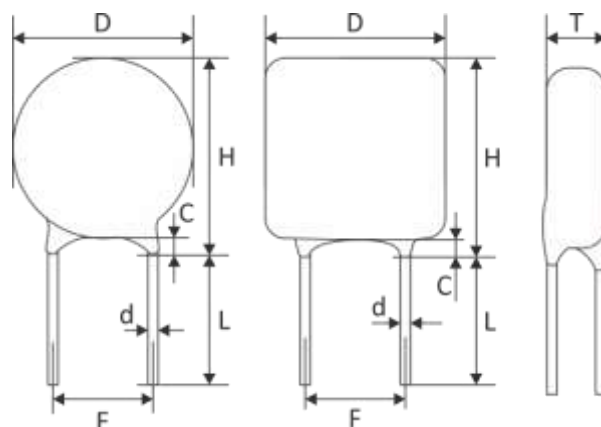
| 规格 SPECS | 20S | 22S | 25D | 32D | 34S | 40D | 53D |
|-------------|----------|----------|----------|----------|----------|----------|----------|
| D | 20.0±0.5 | 22.0±0.5 | 25.0±0.5 | 32.0±0.5 | 33.0±0.5 | 40.0±1.0 | 53.0±1.0 |
| S | 1.5±0.5 | 2.0±0.5 | 2.0±0.5 | 2.0±0.5 | 1.8±0.5 | 2.0±0.5 | 3.5±0.5 |

引线式压敏电阻器

- 阻燃性环氧树脂(符合 UL94 V-0)封装
- CP 线引出，可电路板焊接，并根据客户要求定制各种脚形，脚长

Lead varistors

- Coated with flame-retardant epoxy resin (conforming to UL94 V-0 standard)
- CP wire leads, the circuit board can be soldered and a variety of customized according to customer requirements lead style, lead length



| 尺寸代码 Dimensions code | D mm max | H mm max | F mm ±1.0 | D mm ±0.5 | C mm max | L mm min |
|-------------------------|-------------|-------------|--------------|--------------|-------------|-------------|
| 20S | 24 | 27 | 10 | 1.0 | 3.0 | 20.0 |
| 22S | 26 | 29 | 10 | 1.0 | 3.0 | 20.0 |
| 25D | 29 | 32 | 10 / 12.5 | 1.0 | 3.0 | 20.0 |
| 32D | 36 | 40 | 25.4 | 1.5 | 3.0 | 20.0 |

■ T 尺寸标准表(mm, 最大值)
(含引出片式压敏电阻器)

■ T dimension specification list (mm, maximum)
(Contain strap varistors)

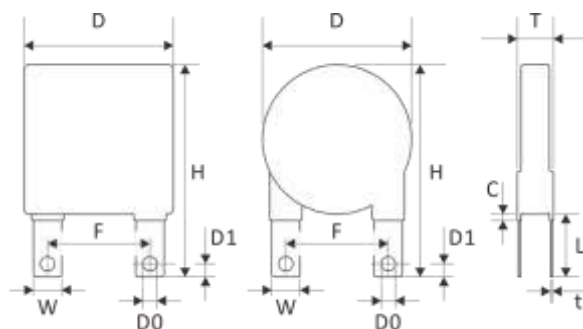
| 电压规格 Voltage specs | 20S | 22S | 25D | 32D | 34S | 40D | 53D |
|-----------------------|-----|-----|-----|------|------|------|------|
| 201 | 4.6 | 4.6 | 5.3 | 6.2 | 6.3 | 6.2 | 6.3 |
| 221 | 4.6 | 4.6 | 5.4 | 6.3 | 6.5 | 6.3 | 6.5 |
| 241 | 4.9 | 4.9 | 5.5 | 6.4 | 6.5 | 6.4 | 6.5 |
| 271 | 5.0 | 5.0 | 5.6 | 6.6 | 6.7 | 6.6 | 6.7 |
| 301 | 5.0 | 5.0 | 5.7 | 6.7 | 6.8 | 6.7 | 6.8 |
| 331 | 5.2 | 5.2 | 5.9 | 6.9 | 7.0 | 6.9 | 7.0 |
| 361 | 5.4 | 5.4 | 6.1 | 7.1 | 7.2 | 7.1 | 7.2 |
| 391 | 5.5 | 5.5 | 6.2 | 7.3 | 7.4 | 7.3 | 7.4 |
| 431 | 5.6 | 5.6 | 6.4 | 7.5 | 7.6 | 7.5 | 7.6 |
| 471 | 6.0 | 6.0 | 6.8 | 7.8 | 7.9 | 7.8 | 7.9 |
| 511 | 6.1 | 6.1 | 6.9 | 8.0 | 8.1 | 8.0 | 8.1 |
| 561 | 6.3 | 6.3 | 7.1 | 8.4 | 8.5 | 8.4 | 8.5 |
| 621 | 6.4 | 6.4 | 7.1 | 8.7 | 8.8 | 8.7 | 8.8 |
| 681 | 6.5 | 6.5 | 7.2 | 9.0 | 9.1 | 9.0 | 9.1 |
| 751 | 6.7 | 6.7 | 7.4 | 9.4 | 9.5 | 9.4 | 9.5 |
| 781 | 6.9 | 6.9 | 7.7 | 9.6 | 9.7 | 9.6 | 9.7 |
| 821 | 7.1 | 7.1 | 7.9 | 9.8 | 9.9 | 9.8 | 9.9 |
| 911 | 7.2 | 7.2 | 8.0 | 10.4 | 10.5 | 10.4 | 10.5 |
| 102 | 7.6 | 7.6 | 8.2 | 11.2 | 11.2 | 11.2 | 11.2 |
| 112 | 8.1 | 8.1 | 8.2 | 11.8 | 11.8 | 11.8 | 11.8 |
| 122 | 8.3 | 8.3 | 8.4 | 12.3 | 12.3 | 12.3 | 12.3 |
| 182 | 9.3 | 9.3 | 9.9 | 14.3 | 14.3 | 14.3 | 14.3 |

引出片式压敏电阻器

- 阻燃性环氧树脂(符合 UL94 V-0)封装
- 有螺栓孔的引出片可用于螺丝固定或焊接
- 引出片可弯折或直插

Strap varistors

- Coated with flame-retardant epoxy resin (conforming to UL94 V-0 standard)
- Bolt-holed strap terminals for screw fixing or soldering
- Bent or straight strap terminals



| 尺寸代码 Dimensions code | D mm max | F mm ±0.5 | H mm max | C mm max | W mm ±0.5 | D0 mm ±0.2 | D1 mm ±0.2 | t mm ±0.05 | L mm min |
|-------------------------|-------------|--------------|-------------|-------------|--------------|---------------|---------------|---------------|-------------|
| 32D | 38.0 | 25.4 | 56.3 | 4.0 | 7.0 | 3.8 | 3.4 | 0.50 | 14 |
| 34S | 44.0 | 25.4 | 56.6 | 4.0 | 7.0 | 3.8 | 3.4 | 0.50 | 14 |
| 40D | 45.0 | 25.4 | 60.3 | 4.0 | 7.0 | 3.8 | 3.4 | 0.50 | 14 |
| 53D | 60.0 | 25.4 | 78.2 | 4.0 | 7.0 | 4.0 | 4.2 | 0.70 | 14 |

注:

本目录由于篇幅限制只列出标准的引出端;对于客户的特殊引出端要求,可以定制。

NOTE:

This catalog has only typical terminals because there is no space for detailed specifications, for the customer's special terminals requirements, can be customized.

特性表

Characteristic Specifications

20S

| 规格 | 压敏电压 (V1.0mA) | 最大允许电压 | | 最大限制电压 | | 最大峰值电流(8/20μs) | | 最大能量 (10/1000μs) | 额定 功率 | 参考电容量 (最大值) |
|---------|------------------|--------|-------|--------|------|----------------|-------|---------------------|----------|----------------|
| | | ACrms | DC | Vc | Ip | 一次 | 二次 | | | |
| | Volts | Volts | Volts | Volts | Amps | Amps | Amps | Joules | Watts | pF @1kHz |
| 20S201K | 180-220 | 130 | 170 | 340 | 100 | 15000 | 10000 | 170 | 1.0 | 2400 |
| 20S221K | 198-242 | 140 | 180 | 360 | | | | 2160 | | |
| 20S241K | 216-264 | 150 | 200 | 395 | | | | 2000 | | |
| 20S271K | 243-297 | 175 | 225 | 455 | | | | 1800 | | |
| 20S301K | 270-330 | 190 | 250 | 505 | | | | 1560 | | |
| 20S331K | 297-363 | 210 | 275 | 545 | | | | 1440 | | |
| 20S361K | 324-396 | 230 | 300 | 595 | | | | 1320 | | |
| 20S391K | 351-429 | 250 | 320 | 650 | | | | 1200 | | |
| 20S431K | 387-473 | 275 | 350 | 710 | | | | 1160 | | |
| 20S471K | 423-517 | 300 | 385 | 775 | | | | 1020 | | |
| 20S511K | 459-561 | 320 | 415 | 845 | | | | 935 | | |
| 20S561K | 504-616 | 350 | 460 | 920 | | | | 850 | | |
| 20S621K | 558-682 | 385 | 505 | 1020 | | | | 780 | | |
| 20S681K | 612-748 | 420 | 560 | 1120 | | | | 720 | | |
| 20S751K | 675-825 | 460 | 615 | 1240 | | | | 635 | | |
| 20S781K | 702-858 | 485 | 640 | 1290 | | | | 610 | | |
| 20S821K | 738-902 | 510 | 670 | 1355 | | | | 600 | | |
| 20S911K | 819-1001 | 550 | 745 | 1500 | | | | 525 | | |
| 20S102K | 900-1100 | 625 | 825 | 1650 | | | | 480 | | |
| 20S112K | 990-1210 | 680 | 895 | 1815 | | | | 430 | | |
| 20S122K | 1080-1320 | 750 | 990 | 1980 | 380 | | | | | |
| 20S182K | 1620-1980 | 1000 | 1465 | 2970 | 300 | | | | | |

22S

| 规格 | 压敏电压 (V1.0mA) | 最大允许电压 | | 最大限制电压 | | 最大峰值电流(8/20μs) | | 最大能量 (10/1000μs) | 额定 功率 | 参考电容量 (最大值) |
|---------|------------------|--------|-------|--------|------|----------------|-------|---------------------|----------|----------------|
| | | ACrms | DC | Vc | Ip | 一次 | 二次 | | | |
| | Volts | Volts | Volts | Volts | Amps | Amps | Amps | Joules | Watts | pF @1kHz |
| 22S201K | 180-220 | 130 | 170 | 340 | 125 | 20000 | 15000 | 200 | 1.0 | 3300 |
| 22S221K | 198-242 | 140 | 180 | 360 | | | | 3000 | | |
| 22S241K | 216-264 | 150 | 200 | 395 | | | | 2800 | | |
| 22S271K | 243-297 | 175 | 225 | 455 | | | | 2450 | | |
| 22S301K | 270-330 | 190 | 250 | 505 | | | | 2200 | | |
| 22S331K | 297-363 | 210 | 275 | 545 | | | | 2050 | | |
| 22S361K | 324-396 | 230 | 300 | 595 | | | | 1850 | | |
| 22S391K | 351-429 | 250 | 320 | 650 | | | | 1700 | | |
| 22S431K | 387-473 | 275 | 350 | 710 | | | | 1600 | | |
| 22S471K | 423-517 | 300 | 385 | 775 | | | | 1450 | | |
| 22S511K | 459-561 | 320 | 415 | 845 | | | | 1300 | | |
| 22S561K | 504-616 | 350 | 460 | 920 | | | | 1200 | | |
| 22S621K | 558-682 | 385 | 505 | 1020 | | | | 1100 | | |
| 22S681K | 612-748 | 420 | 560 | 1120 | | | | 1000 | | |
| 22S751K | 675-825 | 460 | 615 | 1240 | | | | 900 | | |
| 22S781K | 702-858 | 485 | 640 | 1290 | | | | 850 | | |
| 22S821K | 738-902 | 510 | 670 | 1355 | | | | 810 | | |
| 22S911K | 819-1001 | 550 | 745 | 1500 | | | | 750 | | |
| 22S102K | 900-1100 | 625 | 825 | 1650 | | | | 700 | | |
| 22S112K | 990-1210 | 680 | 895 | 1815 | | | | 605 | | |
| 22S122K | 1080-1320 | 750 | 990 | 1980 | 555 | | | | | |
| 22S182K | 1620-1980 | 1000 | 1465 | 2970 | 415 | | | | | |

25D

| 规格 | 压敏电压 (V1.0mA) | 最大允许电压 | | 最大限制电压 | | 最大峰值电流 (8/20μs) | | 最大能量 (10/1000μs) | | 额定 功率 | 参考电容量 (最大值) |
|---------|------------------|--------|-------|--------|-------|--------------------|-------|---------------------|--------|----------|----------------|
| | | ACrms | DC | Vc | Ip | 普通型 | 高能型 | 普通型 | 高能型 | | |
| | Volts | Volts | Volts | Volts | Amps | Amps | Amps | Joules | Joules | Watts | pF @1kHz |
| 25D201K | 180-220 | 130 | 170 | 340 | 150 | 15000 | 20000 | 140.0 | 190.0 | 1.20 | 3200 |
| 25D221K | 198-242 | 140 | 180 | 360 | | | | 155.0 | 200.0 | | 2900 |
| 25D241K | 216-264 | 150 | 200 | 395 | | | | 168.0 | 220.0 | | 2650 |
| 25D271K | 243-297 | 175 | 225 | 455 | | | | 190.0 | 255.0 | | 2400 |
| 25D301K | 270-330 | 190 | 250 | 505 | | | | 210.0 | 275.0 | | 2100 |
| 25D331K | 297-363 | 210 | 275 | 545 | | | | 228.0 | 300.0 | | 1900 |
| 25D361K | 324-396 | 230 | 300 | 595 | | | | 255.0 | 330.0 | | 1750 |
| 25D391K | 351-429 | 250 | 320 | 650 | | | | 275.0 | 360.0 | | 1600 |
| 25D431K | 387-473 | 275 | 350 | 710 | | | | 305.0 | 380.0 | | 1500 |
| 25D471K | 423-517 | 300 | 385 | 775 | | | | 350.0 | 400.0 | | 1400 |
| 25D511K | 459-561 | 320 | 415 | 845 | | 361.0 | 420.0 | 1250 | | | |
| 25D561K | 504-616 | 350 | 460 | 920 | | 380.0 | 440.0 | 1150 | | | |
| 25D621K | 558-682 | 385 | 505 | 1020 | | 396.0 | 450.0 | 1050 | | | |
| 25D681K | 612-748 | 420 | 560 | 1120 | | 408.0 | 460.0 | 950 | | | |
| 25D751K | 675-825 | 460 | 615 | 1240 | | 420.0 | 510.0 | 850 | | | |
| 25D781K | 702-858 | 485 | 640 | 1290 | | 440.0 | 530.0 | 800 | | | |
| 25D821K | 738-902 | 510 | 670 | 1355 | | 460.0 | 570.0 | 750 | | | |
| 25D911K | 819-1001 | 550 | 745 | 1500 | | 510.0 | 620.0 | 700 | | | |
| 25D102K | 900-1100 | 625 | 825 | 1650 | | 560.0 | 685.0 | 650 | | | |
| 25D112K | 990-1210 | 680 | 895 | 1815 | | 600.0 | 720.0 | 600 | | | |
| 25D122K | 1080-1320 | 750 | 990 | 1980 | 631.0 | 792.0 | 550 | | | | |
| 25D182K | 1620-1980 | 1000 | 1465 | 2970 | 896.0 | 1092.0 | 400 | | | | |

32D

| 规格 | 压敏电压 (V1.0mA) | 最大允许电压 | | 最大限制电压 | | 最大峰值电流(8/20μs) | | 最大能量 (10/1000μs) | 额定 功率 | 参考电容量 (最大值) |
|---------|------------------|--------|-------|--------|------|----------------|-------|---------------------|----------|----------------|
| | | ACrms | DC | Vc | Ip | 一次 | 二次 | | | |
| | Volts | Volts | Volts | Volts | Amps | Amps | Amps | Joules | Watts | pF @1kHz |
| 32D201K | 180-220 | 130 | 170 | 340 | 200 | 25000 | 20000 | 210 | 1.2 | 5200 |
| 32D221K | 198-242 | 140 | 180 | 360 | | | | 225 | | 5100 |
| 32D241K | 216-264 | 150 | 200 | 395 | | | | 240 | | 5000 |
| 32D271K | 243-297 | 175 | 225 | 455 | | | | 250 | | 4800 |
| 32D301K | 270-330 | 190 | 250 | 505 | | | | 260 | | 4500 |
| 32D331K | 297-363 | 210 | 275 | 545 | | | | 280 | | 4300 |
| 32D361K | 324-396 | 230 | 300 | 595 | | | | 300 | | 3900 |
| 32D391K | 351-429 | 250 | 320 | 650 | | | | 330 | | 3200 |
| 32D431K | 387-473 | 275 | 350 | 710 | | | | 360 | | 3100 |
| 32D471K | 423-517 | 300 | 385 | 775 | | | | 380 | | 2800 |
| 32D511K | 459-561 | 320 | 415 | 845 | | | | 430 | | 2700 |
| 32D561K | 504-616 | 350 | 460 | 920 | | | | 480 | | 2500 |
| 32D621K | 558-682 | 385 | 505 | 1020 | | | | 550 | | 2400 |
| 32D681K | 612-748 | 420 | 560 | 1120 | | | | 600 | | 2200 |
| 32D751K | 675-825 | 460 | 615 | 1240 | | | | 600 | | 2000 |
| 32D781K | 702-858 | 485 | 640 | 1290 | | | | 600 | | 1900 |
| 32D821K | 738-902 | 510 | 670 | 1355 | | | | 620 | | 1800 |
| 32D911K | 819-1001 | 550 | 745 | 1500 | | | | 620 | | 1300 |
| 32D102K | 900-1100 | 625 | 825 | 1650 | | | | 680 | | 1100 |
| 32D112K | 990-1210 | 680 | 895 | 1815 | | | | 740 | | 1000 |
| 32D122K | 1080-1320 | 750 | 990 | 1980 | 960 | 920 | | | | |
| 32D182K | 1620-1980 | 1000 | 1465 | 2970 | 1080 | 700 | | | | |

34S

| 规格 | 压敏电压 (V1.0mA) | 最大允许电压 | | 最大限制电压 | | 最大峰值电流(8/20μs) | | 最大能量 (10/1000μs) | 额定 功率 | 参考电容量 (最大值) |
|---------|------------------|--------|-------|--------|------|----------------|-------|---------------------|----------|----------------|
| | | ACrms | DC | Vc | Ip | 一次 | 二次 | | | |
| | Volts | Volts | Volts | Volts | Amps | Amps | Amps | Joules | Watts | pF @1kHz |
| 34S201K | 180-220 | 130 | 170 | 340 | 300 | 40000 | 30000 | 310 | 1.4 | 8000 |
| 34S221K | 198-242 | 140 | 180 | 360 | | | | 330 | | 7800 |
| 34S241K | 216-264 | 150 | 200 | 395 | | | | 360 | | 7600 |
| 34S271K | 243-297 | 175 | 225 | 455 | | | | 390 | | 7200 |
| 34S301K | 270-330 | 190 | 250 | 505 | | | | 410 | | 6800 |
| 34S331K | 297-363 | 210 | 275 | 545 | | | | 430 | | 6400 |
| 34S361K | 324-396 | 230 | 300 | 595 | | | | 460 | | 6000 |
| 34S391K | 351-429 | 250 | 320 | 650 | | | | 490 | | 4800 |
| 34S431K | 387-473 | 275 | 350 | 710 | | | | 550 | | 4600 |
| 34S471K | 423-517 | 300 | 385 | 775 | | | | 600 | | 4100 |
| 34S511K | 459-561 | 320 | 415 | 845 | | | | 640 | | 4000 |
| 34S561K | 504-616 | 350 | 460 | 920 | | | | 700 | | 3800 |
| 34S621K | 558-682 | 385 | 505 | 1020 | | | | 800 | | 3600 |
| 34S681K | 612-748 | 420 | 560 | 1120 | | | | 910 | | 3300 |
| 34S751K | 675-825 | 460 | 615 | 1240 | | | | 920 | | 3000 |
| 34S781K | 702-858 | 485 | 640 | 1290 | | | | 930 | | 2850 |
| 34S821K | 738-902 | 510 | 670 | 1355 | | | | 940 | | 2700 |
| 34S911K | 819-1001 | 550 | 745 | 1500 | | | | 960 | | 2100 |
| 34S102K | 900-1100 | 625 | 825 | 1650 | | | | 1050 | | 1700 |
| 34S112K | 990-1210 | 680 | 895 | 1815 | | | | 1120 | | 1520 |
| 34S122K | 1080-1320 | 750 | 990 | 1980 | 1200 | 1400 | | | | |
| 34S182K | 1620-1980 | 1000 | 1465 | 2970 | 1500 | 1100 | | | | |

40D

| 规格 | 压敏电压 (V1.0mA) | 最大允许电压 | | 最大限制电压 | | 最大峰值电流(8/20μs) | | 最大能量 (10/1000μs) | 额定 功率 | 参考电容量 (最大值) |
|---------|------------------|--------|-------|--------|------|----------------|-------|---------------------|----------|----------------|
| | | ACrms | DC | Vc | Ip | 一次 | 二次 | | | |
| | Volts | Volts | Volts | Volts | Amps | Amps | Amps | Joules | Watts | pF @1kHz |
| 40D201K | 180-220 | 130 | 170 | 340 | 300 | 40000 | 30000 | 310 | 1.4 | 8400 |
| 40D221K | 198-242 | 140 | 180 | 360 | | | | 330 | | 8200 |
| 40D241K | 216-264 | 150 | 200 | 395 | | | | 360 | | 8000 |
| 40D271K | 243-297 | 175 | 225 | 455 | | | | 390 | | 7600 |
| 40D301K | 270-330 | 190 | 250 | 505 | | | | 410 | | 7200 |
| 40D331K | 297-363 | 210 | 275 | 545 | | | | 430 | | 6700 |
| 40D361K | 324-396 | 230 | 300 | 595 | | | | 460 | | 6200 |
| 40D391K | 351-429 | 250 | 320 | 650 | | | | 490 | | 5100 |
| 40D431K | 387-473 | 275 | 350 | 710 | | | | 550 | | 4900 |
| 40D471K | 423-517 | 300 | 385 | 775 | | | | 600 | | 4300 |
| 40D511K | 459-561 | 320 | 415 | 845 | | | | 640 | | 4200 |
| 40D561K | 504-616 | 350 | 460 | 920 | | | | 720 | | 4000 |
| 40D621K | 558-682 | 385 | 505 | 1020 | | | | 800 | | 3800 |
| 40D681K | 612-748 | 420 | 560 | 1120 | | | | 910 | | 3500 |
| 40D751K | 675-825 | 460 | 615 | 1240 | | | | 920 | | 3200 |
| 40D781K | 702-858 | 485 | 640 | 1290 | | | | 920 | | 3000 |
| 40D821K | 738-902 | 510 | 670 | 1355 | | | | 940 | | 2900 |
| 40D911K | 819-1001 | 550 | 745 | 1500 | | | | 960 | | 2200 |
| 40D102K | 900-1100 | 625 | 825 | 1650 | | | | 1055 | | 1800 |
| 40D112K | 990-1210 | 680 | 895 | 1815 | | | | 1120 | | 1600 |
| 40D122K | 1080-1320 | 750 | 990 | 1980 | 1200 | 1500 | | | | |
| 40D182K | 1620-1980 | 1000 | 1465 | 2970 | 1500 | 1150 | | | | |

53D

| 规格 | 压敏电压 (V1.0mA) | 最大允许电压 | | 最大限制电压 | | 最大峰值电流(8/20μs) | | 最大能量 (10/1000μs) | 额定 功率 | 参考电容量 (最大值) |
|---------|------------------|--------|-------|--------|------|----------------|-------|---------------------|----------|----------------|
| | | ACrms | DC | Vc | Ip | 一次 | 二次 | | | |
| | Volts | Volts | Volts | Volts | Amps | Amps | Amps | Joules | Watts | pF @1kHz |
| 53D201K | 180-220 | 130 | 170 | 340 | 500 | 70000 | 50000 | 490 | 1.5 | 15000 |
| 53D221K | 198-242 | 140 | 180 | 360 | | | | 530 | | 13800 |
| 53D241K | 216-264 | 150 | 200 | 395 | | | | 570 | | 12500 |
| 53D271K | 243-297 | 175 | 225 | 455 | | | | 630 | | 11000 |
| 53D301K | 270-330 | 190 | 250 | 505 | | | | 680 | | 9000 |
| 53D331K | 297-363 | 210 | 275 | 545 | | | | 700 | | 8800 |
| 53D361K | 324-396 | 230 | 300 | 595 | | | | 730 | | 8500 |
| 53D391K | 351-429 | 250 | 320 | 650 | | | | 880 | | 7500 |
| 53D431K | 387-473 | 275 | 350 | 710 | | | | 950 | | 7000 |
| 53D471K | 423-517 | 300 | 385 | 775 | | | | 1000 | | 6500 |
| 53D511K | 459-561 | 320 | 415 | 845 | | | | 1100 | | 6000 |
| 53D561K | 504-616 | 350 | 460 | 920 | | | | 1150 | | 5500 |
| 53D621K | 558-682 | 385 | 505 | 1020 | | | | 1200 | | 5000 |
| 53D681K | 612-748 | 420 | 560 | 1120 | | | | 1350 | | 4500 |
| 53D751K | 675-825 | 460 | 615 | 1240 | | | | 1400 | | 4000 |
| 53D781K | 702-858 | 485 | 640 | 1290 | | | | 1450 | | 3900 |
| 53D821K | 738-902 | 510 | 670 | 1355 | | | | 1600 | | 3700 |
| 53D911K | 819-1001 | 550 | 745 | 1500 | | | | 1700 | | 3300 |
| 53D102K | 900-1100 | 625 | 825 | 1650 | | | | 1890 | | 3000 |
| 53D112K | 990-1210 | 680 | 895 | 1815 | | | | 2050 | | 2700 |
| 53D122K | 1080-1320 | 750 | 990 | 1980 | | | | 2160 | | 2500 |
| 53D182K | 1620-1980 | 1000 | 1465 | 2970 | | | | 2500 | | 1900 |