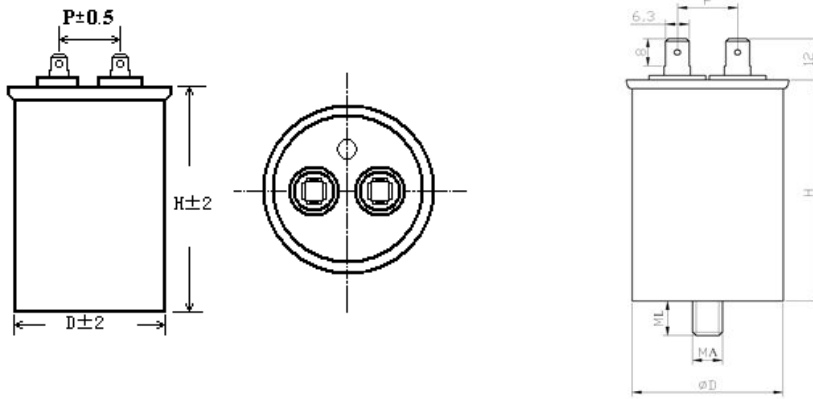


金属化聚丙烯膜交流电动机电容器(圆柱形、铝外壳、防爆)
Metallized polypropylene film AC motor capacitor (column, aluminum case, anti-explosion)

■ 外形图 Outline Drawing



■ 特点

- 适用于频率为 50HZ/60HZ 交流电源供电的
单相电动机起动和运转
- 具有良好的自愈性
- 性能稳定, 可靠性强
- 防爆设计, 更安全

■ Features

- Widely applied to starting and running of AC single-phase
motors at 50Hz/60Hz frequency power
- Self-healing property
- Excellent stable performance and reliability
- Anti-explosion design, more safety

■ 技术要求 Specifications

| | | |
|--------------------------------------|--|---------------|
| 运行等级 Class of operation | Class C (3 000h) | |
| 气候类别 Climatic Category | 40/70/21 | |
| 引用标准 Reference Standard | GB/T 3667.1 (IEC 60252-1) | |
| 额定电压 Rated Voltage | 450VAC, 50/60Hz | |
| 安全防护等级 Class of safety protection | S2 (P2) | |
| 电容量范围 Capacitance Range | 5.0 μ F~85.0 μ F | |
| 电容量偏差 Capacitance Tolerance | \pm 5%, \pm 10%, \pm 15% | |
| 耐电压 Voltage Proof | 引线之间 Between Terminals: | 900VAC(2s) |
| | 极壳之间 Between Terminals To Case: | 3 000VAC(60s) |
| 损耗角正切 Dissipation Factor | \leq 0.002 0 (50Hz~100Hz) \leq 0.006 0 (1kHz, C \leq 33 μ F) \leq 0.008 0 (1kHz, C > 33 μ F) | |
| 绝缘电阻 Insulation Resistance | \geq 3 000s (20°C, 100V, 1min) | |

产品代码说明 Part number system

■ 18 位产品代码说明如下:

The 18 digits part number is formed as follow:

| | | | | | | | | | | | | | | | | | |
|---|---|---|---|---|---|---|---|---|----|----|----|----|----|----|----|----|----|
| 1 | 2 | 3 | 4 | 5 | 6 | 7 | 8 | 9 | 10 | 11 | 12 | 13 | 14 | 15 | 16 | 17 | 18 |
| □ | □ | □ | □ | □ | □ | □ | □ | □ | □ | □ | □ | □ | □ | □ | □ | □ | □ |

W 6 5

第 1~3 位: 型号代码

W65=CBB65

第 4~5 位: 交流额定电压

S2=450V

第 6~8 位: 标称容量

举例 : 505 = 50×10^5 PF = 5.0 μ f

第 9 位: 容量偏差

J=±5% K=±10%,

第 10 位: 产品外形尺寸代码

Digit 1 to 3: Series code

W65=CBB65

Digit 4 to 5: AC rated voltage

S2=450V

Digit 6 to 8: Rated capacitance

For example: 505 = 50×10^5 PF = 5.0 μ f

Digit 9: Capacitance tolerance

J=±5%, K=±10%

Digit 10: Dimension code

| CBB65 Dimension code | | | | | | | | | | | | | | |
|----------------------|-----|------|----|-----|------|----|-----|------|----|-----|------|----|-----|------|
| D | H | Code | D | H | Code | D | H | Code | D | H | Code | D | H | Code |
| 40 | 60 | 1 | 45 | 90 | 6 | 50 | 75 | B | 50 | 105 | G | 55 | 120 | M |
| 40 | 75 | 2 | 45 | 100 | 7 | 50 | 80 | C | 50 | 110 | H | 55 | 130 | N |
| 40 | 100 | 3 | 45 | 110 | 8 | 50 | 85 | D | 50 | 120 | J | 60 | 100 | P |
| 45 | 60 | 4 | 50 | 65 | 9 | 50 | 90 | E | 50 | 130 | K | 60 | 130 | Q |
| 45 | 75 | 5 | 50 | 70 | A | 50 | 100 | F | 55 | 110 | L | 60 | 135 | R |

第 11 位: 引出端代码

B=铁片

第 12~18 位: 内部特征码

Digit 11: Terminals code

B= iron code

Digit 12 to 18: Internal use

■ 外形尺寸 Dimensions (mm)

| 450Vac | | | | | 450Vac | | | | |
|-----------------|----------|----------|----|------------------|-----------------|----------|----------|----|------------------|
| C (μ F) | D max | H max | P | Part number | C (μ F) | D max | H max | P | Part number |
| 5.0 | 40 | 60 | 16 | W65S2505-1B***** | 33.0 | 45 | 110 | 18 | W65S2336-8B***** |
| 6.0 | 40 | 60 | 16 | W65S2605-1B***** | 35.0 | 45 | 110 | 18 | W65S2356-8B***** |
| 7.0 | 40 | 60 | 16 | W65S2705-1B***** | 36.0 | 45 | 110 | 18 | W65S2366-8B***** |
| 8.0 | 40 | 60 | 16 | W65S2805-1B***** | 40.0 | 50 | 110 | 18 | W65S2406-HB***** |
| 10.0 | 40 | 60 | 16 | W65S2106-1B***** | 41.0 | 50 | 110 | 18 | W65S2416-HB***** |
| 11.0 | 45 | 60 | 18 | W65S2116-4B***** | 42.0 | 50 | 110 | 18 | W65S2426-HB***** |
| 12.0 | 45 | 60 | 18 | W65S2126-4B***** | 45.0 | 50 | 110 | 18 | W65S2456-HB***** |
| 14.0 | 45 | 60 | 18 | W65S2146-4B***** | 46.0 | 50 | 110 | 18 | W65S2466-HB***** |
| 11.0 | 40 | 75 | 16 | W65S2116-2B***** | 47.0 | 55 | 110 | 20 | W65S2476-LB***** |
| 12.0 | 40 | 75 | 16 | W65S2126-2B***** | 48.0 | 55 | 110 | 20 | W65S2486-LB***** |
| 14.0 | 40 | 75 | 16 | W65S2146-2B***** | 50.0 | 55 | 110 | 20 | W65S2506-LB***** |
| 15.0 | 40 | 75 | 16 | W65S2156-2B***** | 52.0 | 55 | 110 | 20 | W65S2526-LB***** |
| 16.0 | 45 | 75 | 18 | W65S2166-5B***** | 53.0 | 55 | 110 | 20 | W65S2536-LB***** |
| 17.0 | 45 | 75 | 18 | W65S2176-5B***** | 55.0 | 55 | 110 | 20 | W65S2556-LB***** |
| 17.5 | 45 | 75 | 18 | W65S217E-5B***** | 58.0 | 55 | 110 | 20 | W65S2586-LB***** |
| 20.0 | 45 | 75 | 18 | W65S2206-5B***** | 47.0 | 50 | 120 | 18 | W65S2476-JB***** |
| 25.0 | 50 | 75 | 18 | W65S2256-BB***** | 48.0 | 50 | 120 | 18 | W65S2486-JB***** |
| 26.0 | 50 | 75 | 18 | W65S2266-BB***** | 50.0 | 50 | 120 | 18 | W65S2506-JB***** |
| 30.0 | 50 | 85 | 18 | W65S2306-DB***** | 52.0 | 50 | 120 | 18 | W65S2526-JB***** |
| 16.0 | 40 | 100 | 16 | W65S2166-3B***** | 53.0 | 55 | 120 | 20 | W65S2536-MB***** |
| 17.0 | 40 | 100 | 16 | W65S2176-3B***** | 54.0 | 55 | 120 | 20 | W65S2546-MB***** |
| 17.5 | 40 | 100 | 16 | W65S217E-3B***** | 55.0 | 55 | 120 | 20 | W65S2556-MB***** |
| 20.0 | 40 | 100 | 16 | W65S2206-3B***** | 58.0 | 55 | 120 | 20 | W65S2586-MB***** |
| 25.0 | 40 | 100 | 16 | W65S2256-3B***** | 60.0 | 55 | 120 | 20 | W65S2606-MB***** |
| 26.0 | 45 | 100 | 18 | W65S2266-7B***** | 63.0 | 55 | 120 | 20 | W65S2636-MB***** |
| 30.0 | 45 | 100 | 18 | W65S2306-7B***** | 65.0 | 55 | 120 | 20 | W65S2656-MB***** |
| 32.0 | 45 | 100 | 18 | W65S2326-7B***** | 53.0 | 50 | 130 | 18 | W65S2536-KB***** |
| 33.0 | 50 | 100 | 18 | W65S2336-FB***** | 55.0 | 50 | 130 | 18 | W65S2556-KB***** |
| 35.0 | 50 | 100 | 18 | W65S2356-FB***** | 58.0 | 50 | 130 | 18 | W65S2586-KB***** |
| 36.0 | 50 | 100 | 18 | W65S2366-FB***** | 60.0 | 50 | 130 | 18 | W65S2606-KB***** |
| 40.0 | 50 | 100 | 18 | W65S2406-FB***** | 63.0 | 55 | 130 | 20 | W65S2636-NB***** |
| | | | | | 65.0 | 55 | 130 | 20 | W65S2656-NB***** |
| | | | | | 69.0 | 55 | 130 | 20 | W65S2696-NB***** |
| | | | | | 70.0 | 55 | 130 | 20 | W65S2706-NB***** |
| | | | | | 75.0 | 60 | 130 | 20 | W65S2756-QB***** |
| | | | | | 80.0 | 60 | 130 | 20 | W65S2806-QB***** |
| | | | | | 85.0 | 60 | 130 | 20 | W65S2856-QB***** |

备注: 1. “-”表示容量偏差。“-”=capacitance tolerance code, ,K=±10%,J=±5%,

2. 上表中列出的尺寸为本产品系列中的常用壳号尺寸, 其它规格尺寸也可生产。引用端尺寸参照国家标准

Sizes presented above are normally used dimension, other dimension can be produced in pursuance of customer's request. Sizes of terminals please refer to corresponding national standard.