

## 塑壳干式直流滤波电容器 (定制品) DC-Link Capacitor with plastic shell (Customized products)

### ■ 外形图 Outline Drawing 外形尺寸 Dimensions (mm)

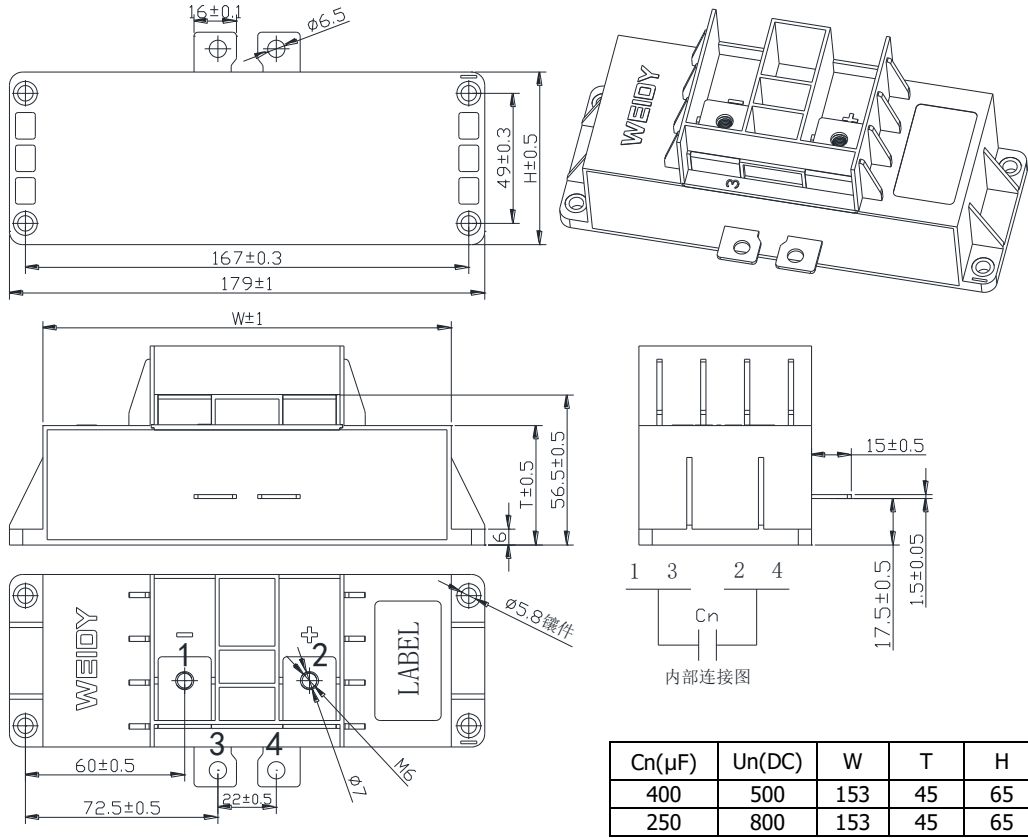


Figure1

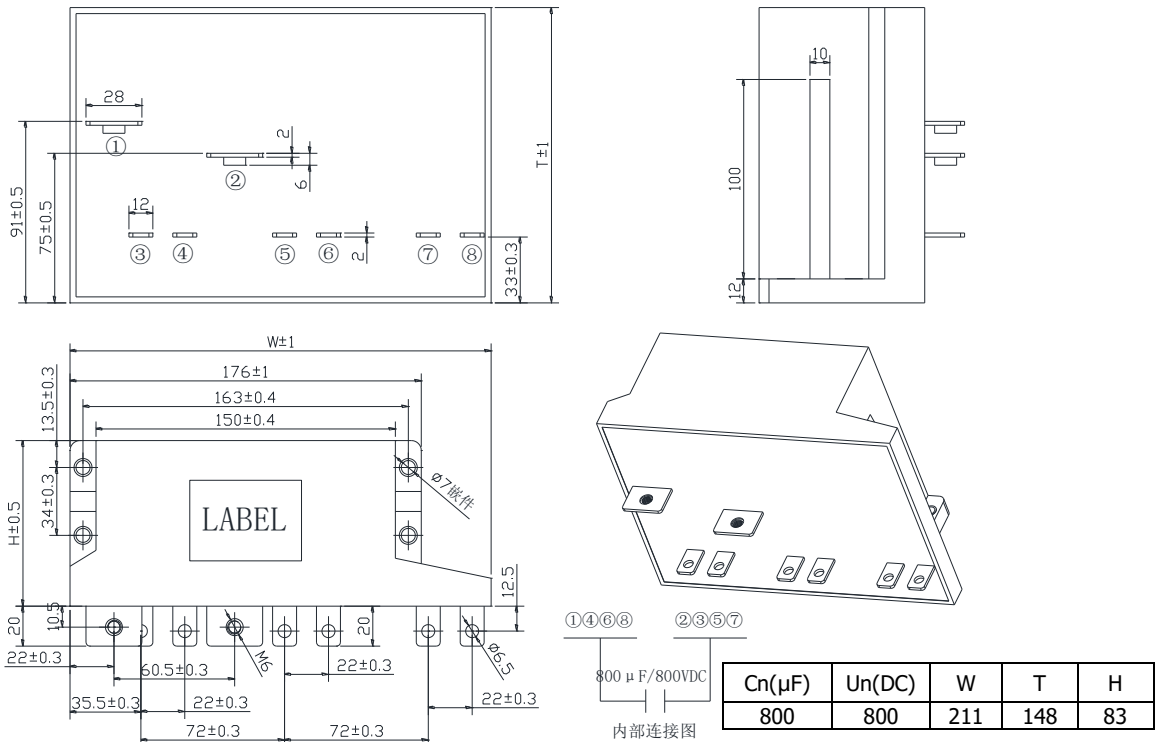


Figure2

## ■ 特点

- 金属化聚丙烯或安全膜结构
- 塑料外壳，环氧树脂灌封
- 低ESR，容许纹波电流大，低ESL
- 有自愈性，寿命长
- 实现组件化（平滑用·滤波器用·缓冲器用）

## ■ 主要用途

- 交通工具，如：电动车和混合动力车
- 汽车用或逆变器平滑电路用

## ■ Features

- Metallized polypropylene or safe film structure
- Plastic case, filled with epoxy resin
- Low ESR, High ripple current capability, and Low ESL
- Self-healing property, Long lifetime
- Possible incorporation of DC-Link, filtering, and snubber capacitor, all together in one module

## ■ Typical Application

- HEV/EV inverter circuits (DC-Link, filtering, and snubber)
- Cars with smooth or inverter circuit

## ■ 技术要求 Specifications

引用标准 Reference Standard	IEC 61071 (GB/T 17702)
气候类别 Climatic Category	40/105/21
额定电压 Rated Voltage	450VDC ~ 1200VDC
容量范围 Capacitance range	100 $\mu$ F ~ 1000 $\mu$ F
容量偏差 Capacitance Tolerance	J:±5%, K:±10%
介质损耗角正切 Dissipation factor tg $\delta$ d	≤0.0002 (50Hz, 20°C)
有效电流 Effective current	50A ~ 200A (5kHz, 25°C)
脉冲能力 Withstand strike current ability	dv/dt > 10V/ $\mu$ s
杂散电感量 Stray inductance	< 50nH
绝缘电阻 Insulation Resistance	> 5 000s (20°C, 100V, 1min)
测试电压 Voltage Proof	极间 Between Terminals: 1.5VRdc (10s)
	极壳之间 Terminals to Case: 2*Vi+1000VAC (10S, 50Hz)
阻燃等级 Flame Rating	UL94V-0
最高使用海拔 Max Altitude	2000m
预期寿命 Lifetime Expectancy	> 100 000 h ( $\theta$ hs=70°C, VR)
过电压 overvoltage	1.1VR:有负荷时间的30% 30% of on-load-dur
	1.15VR:30min/day
	1.2VR:5min/day
	1.3VR: 1min/day

## 产品代码说明 Part number system

## ■ 14 位产品代码说明如下:

The 14 digits part number is formed as follow:

1	2	3	4	5	6	7	8	9	10	11	12	13	14

## W L G

第 1~3 位: 型号代码

WLG

第 4~6 位: 标称容量

举例:  $427 = 42 \times 10^7 \text{ PF} = 420 \mu\text{F}$  $108 = 10 \times 10^8 \text{ PF} = 1000 \mu\text{F}$ 

第 7~10 位: 直流额定电压

举例: 0500=500 V    0800=800V

0900=0900V    1000=1000V

第 11 位: 容量偏差

 $J = \pm 5\%$ ,  $K = \pm 10\%$ ,  $M = \pm 20\%$ 

第 12 位: 引出端代码

5 = 铜片

第 13~14 位: 内部特征码

Digit 1 to 3: Series code

WLG

Digit 4 to 6: Rated capacitance

For example:  $427 = 42 \times 10^7 \text{ PF} = 420 \mu\text{F}$  $108 = 10 \times 10^8 \text{ PF} = 1000 \mu\text{F}$ 

Digit 7 to 10: DC rated voltage

0500=500 V    0800=800V

0900=0900V    1000=1000V

Digit 11: Capacitance tolerance

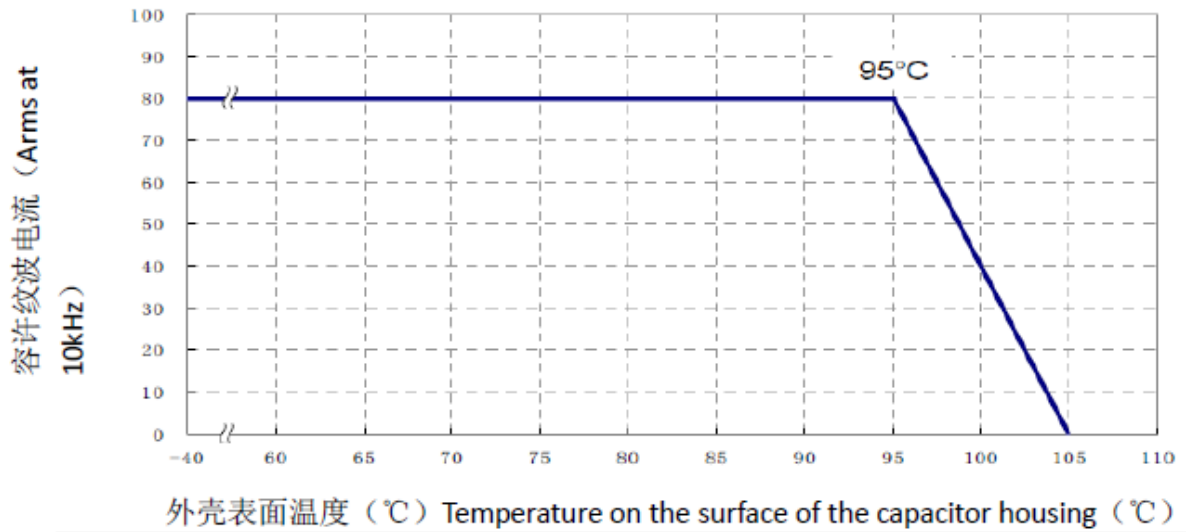
 $J = \pm 5\%$ ,  $K = \pm 10\%$ ,  $M = \pm 20\%$ 

Digit 12: Terminals code

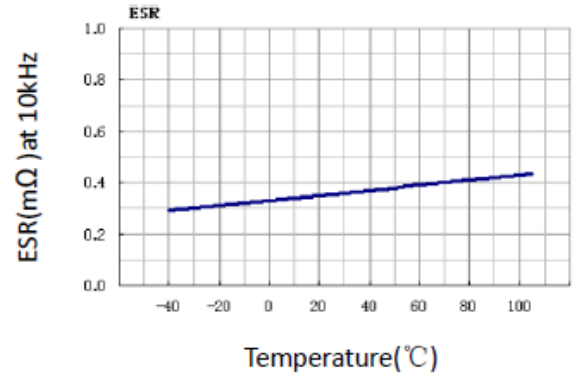
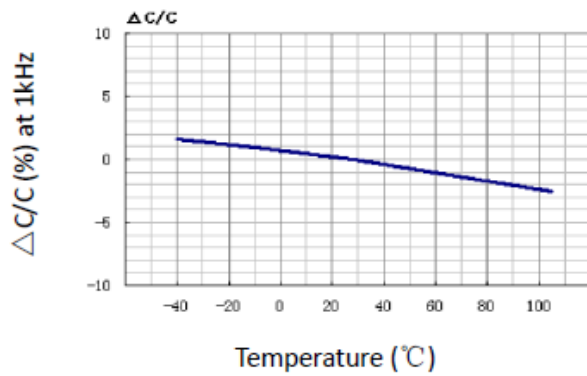
5 = copper sheet

Digit 13 to 14: Internal use

## ■ 电流下降曲线 Current Derating



## ■ 温度特性曲线 Temperature characteristic curve



## ■ 频率特性曲线 Frequency curve

