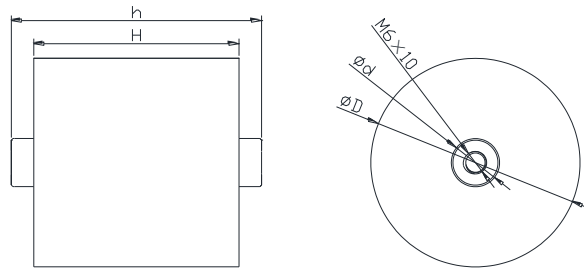
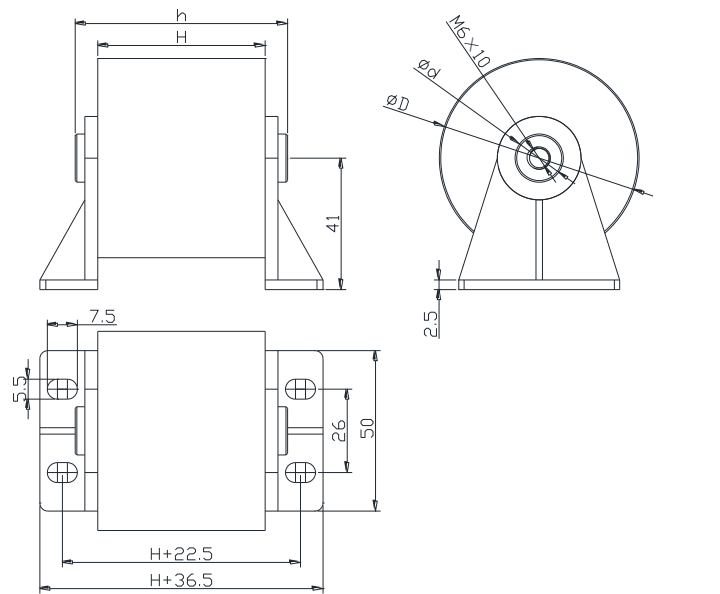


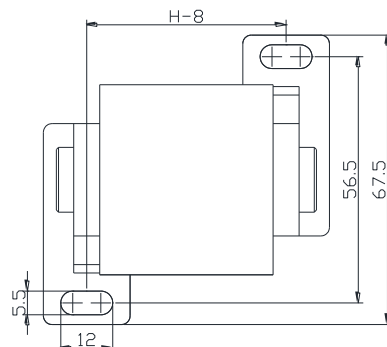
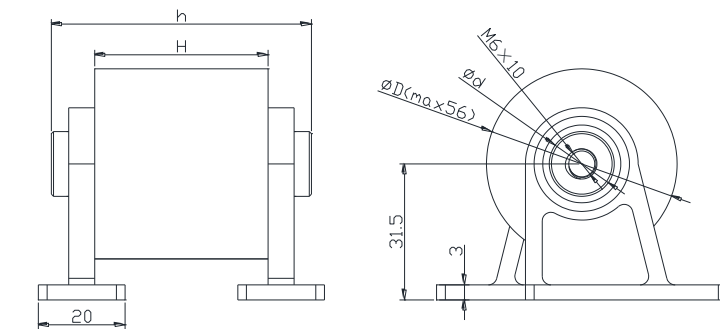
高压谐振电容器 (螺孔式)  
 High Voltage Resonance Capacitor (Threaded Hole Type)  
 外形图 Outline Drawing(mm)



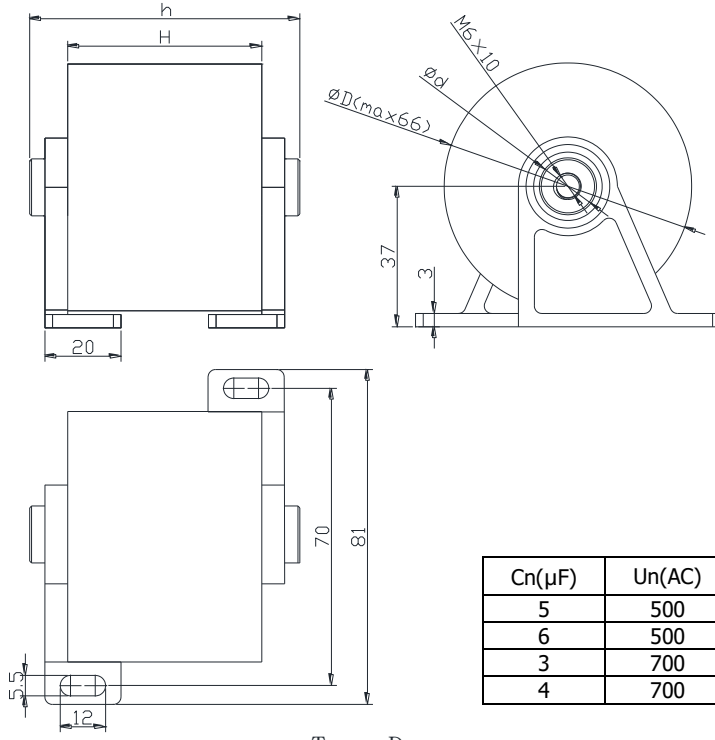
Type A



Type B

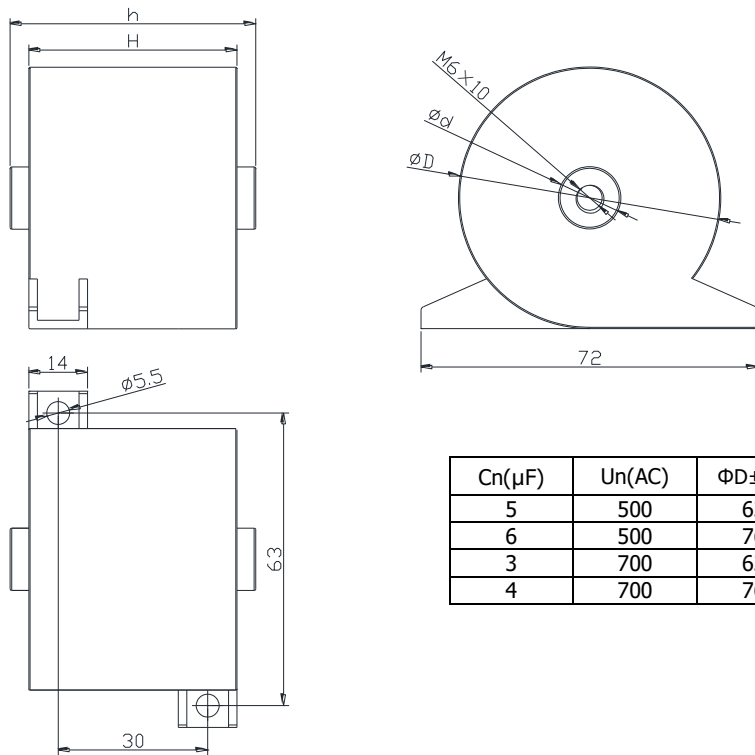


Type C



Cn( $\mu$ F)	Un(AC)	$\Phi D \pm 2.0$	H $\pm 1.0$
5	500	62.5	40
6	500	68	40
3	700	70	40
4	700	71.5	45

Type D



Cn( $\mu$ F)	Un(AC)	$\Phi D \pm 2.0$	H $\pm 1.0$
5	500	63	50
6	500	76	50
3	700	63	50
4	700	76	50

Type E

### ■ 特点

- 金属化聚丙烯薄膜或内串双面金属化结构 structure
- 环氧树脂灌封
- 损耗小，内部温升小
- 等效串联电阻小，自感小
- 有自愈特性，高频特性好
- 过电流能力强

### ■ 主要用途

- 感应加热装备
- 逆变焊机
- 商用电磁炉
- GTO中突波的吸收
- 高压脉冲，高频应用

### ■ Features

- Metallized polypropylene film or internal series double metallic
- filled with epoxy resin
- Low loss and small inherent temperature rise
- Low ESR, Low ESL
- Self-healing property, High frequency characteristic is good
- Strong over current capability

### ■ Typical Application

- Induction heating equipment
- Inverter welding machine
- Commercial induction cooker
- Damping of voltage spikes on GTO-Thyristors
- For high pulse and high frequency application

### ■ 技术要求 Specifications

引用标准 Reference Standard	IEC 60110 (GB/T 3984)	
气候类别 Climatic Category	40/85/21	
额定电压 Rated Voltage	1000VDC ~ 5000VDC	
容量范围 Capacitance range	0.01 $\mu$ F ~ 10 $\mu$ F	
容量偏差 Capacitance Tolerance	J:±5%, K:±10%	
损耗角正切 Dissipation factor tg $\delta$	≤0.0007 (10 kHz, 20°C)	
有效电流 Effective current	20A ~ 100A (25°C)	
脉冲能力 Withstand strike current ability	dv/dt > 1000V/ $\mu$ s	
杂散电感量 Stray inductance	< 30nH	
过电压 Over Voltage	1.05VR (12h/day)	
最大允许电流 Maximum Permissible Current	1.15In	
绝缘电阻 Insulation Resistance	CR ≤0.33 $\mu$ F	CR > 0.33 $\mu$ F
	> 15 000M $\Omega$ (20°C, 100V, min)	> 5 000s (20°C, 100V, 1min)
测试电压 Voltage Proof	极间 Between Terminals: 1.5VRdc (10s)	
最大电极扭矩 MAX. Torque of terminals	M6: 3.5N.m	M8: 6N.m
最高使用海拔 Max Altitude	2000m	
预期寿命 Lifetime Expectancy	> 30 000 h ( $\theta_{hs}$ =70°C, VR)	

## 产品代码说明 Part number system

## ■ 14 位产品代码说明如下:

The 14 digits part number is formed as follow:

1	2	3	4	5	6	7	8	9	10	11	12	13	14
□	□	□	□	□	□	□	□	□	□	□	□	□	□

## W R S

第 1~3 位: 型号代码

WRS

第 4~6 位: 标称容量

举例: 474 =  $47 \times 10^4$  PF =  $0.47 \mu\text{F}$ 105 =  $10 \times 10^5$  PF =  $1.0 \mu\text{F}$ 

第 7~10 位: 额定电压

举例: 1200=1200V    2000=2000V

2500=2500V    3000=3000V

第 11 位: 容量偏差

J=±5%, K=±10%, M=±20%

第 12 位: 引出端代码

1 = 螺孔式    0 = 铜片

第 13~14 位: 内部特征码

Digit 1 to 3: Series code

WRS

Digit 4 to 6: Rated capacitance

For example: 474 =  $47 \times 10^4$  PF =  $0.47 \mu\text{F}$ 105 =  $10 \times 10^5$  PF =  $1.0 \mu\text{F}$ 

Digit 7 to 10: rated voltage

1200=1200V    2000=2000V

2500=2500V    3000=3000V

Digit 11: Capacitance tolerance

J=±5%, K=±10%, M=±20%

Digit 12: Terminals code

1= female terminal    0= copper sheet

Digit 13 to 14: Internal use

## ■ 外形尺寸 Dimensions (mm)

Cn (μF)	D±2.0	H±1.0	ESR (mΩ)	Ls (nH)	dV/dt (V/μs)	Irms@25°C(A)	Part number
<b>1200VDC (500VAC)</b>							
0.68	35	30	5.8	20	1500	35	WRS6841200-#**
1.0	42	30	3.5	20	1200	40	WRS1051200-#**
1.5	42	35	2.7	20	1000	40	WRS1551200-#**
2.0	43	40	2.4	20	1000	40	WRS2051200-#**
2.2	40	44	2.3	20	800	38	WRS2251200-#**
3.3	48	44	1.6	20	800	45	WRS3351200-#**
4.7	57	44	1.4	20	700	50	WRS4751200-#**
5.0	59	44	1.3	20	700	55	WRS5051200-#**
6.0	64	44	1.2	20	600	60	WRS6051200-#**
8.0	74	44	1.0	20	600	70	WRS8051200-#**
10.0	77	44	0.95	20	500	75	WRS1061200-#**
12.0	73	60	0.85	30	400	75	WRS1261200-#**
15.0	82	60	0.7	30	400	80	WRS1561200-#**
<b>1600VDC (600VAC)</b>							
0.22	35	30	15.2	20	1500	35	WRS2241600-#**
0.33	39	30	10.2	20	1500	40	WRS3341600-#**
0.47	39	30	7.8	20	1500	40	WRS4741600-#**
0.68	43	30	5.8	20	1500	40	WRS6841600-#**
1.0	42	35	3.6	20	1000	38	WRS1051600-#**
1.5	46	35	2.7	20	1000	42	WRS1551600-#**
2.0	48	40	2.4	20	1000	45	WRS2051600-#**
2.2	50	40	2.3	20	900	48	WRS2251600-#**
2.5	53	40	2.1	20	900	50	WRS2551600-#**
3.0	52	44	1.8	20	800	50	WRS3051600-#**
3.3	54	44	1.6	20	800	52	WRS3351600-#**
4.7	64	44	1.4	20	700	60	WRS4751600-#**
5.0	66	44	1.3	20	700	65	WRS5051600-#**
8.0	82	44	1.0	20	600	80	WRS8051600-#**
10.0	83	60	1.0	30	400	78	WRS1061600-#**
12.0	82	60	0.95	30	400	78	WRS1261600-#**
<b>2000VDC (700VAC)</b>							
0.22	35	30	15.2	20	1500	35	WRS2242000-#**
0.33	39	30	10.2	20	1500	38	WRS3342000-#**
0.47	46	30	7.8	20	1500	45	WRS4742000-#**
0.50	48	30	7.4	20	1500	48	WRS5042000-#**
0.68	51	30	5.8	20	1500	50	WRS6842000-#**
0.75	49	30	5.5	20	1500	50	WRS7542000-#**
1.0	46	40	3.6	20	1000	45	WRS1052000-#**
1.5	50	40	2.8	20	1000	48	WRS1552000-#**
2.0	57.5	40	2.5	20	800	55	WRS2052000-#**
2.5	57	44	2.2	20	800	55	WRS2552000-#**
3.0	62	44	1.8	20	800	58	WRS3052000-#**
3.3	65	44	1.7	20	800	60	WRS3352000-#**
4.7	68.5	60	1.5	30	500	60	WRS4752000-#**
5.0	70.5	60	1.4	30	500	63	WRS5052000-#**
6.0	77	60	1.3	30	500	70	WRS6052000-#**
7.0	83	60	1.1	30	500	75	WRS7052000-#**

## ■ 外形尺寸 Dimensions (mm)

Cn (μF)	D±2.0	H±1.0	ESR (mΩ)	Ls (nH)	dV/dt (V/μs)	Irms@25°C(A)	Part number
<b>3000VDC (1200VAC)</b>							
0.1	44	40	31.8	15	1500	40	WRS1043000-#**
0.22	51.5	40	14.5	15	1500	50	WRS2243000-#**
0.33	58.5	40	10.1	15	1500	60	WRS3343000-#**
0.47	63.5	40	7.45	15	1500	62	WRS4743000-#**
0.5	65	40	7.32	15	1500	65	WRS5043000-#**
0.68	69	40	5.62	15	1500	70	WRS6843000-#**
0.8	75	40	4.98	15	1500	80	WRS8043000-#**
0.9	75.5	40	4.60	15	1500	80	WRS9043000-#**
1.0	79.5	40	4.31	15	1000	80	WRS1053000-#**
1.1	79	40	4.05	15	1000	80	WRS1153000-#**
1.2	79	40	3.45	15	1000	80	WRS1253000-#**
1.3	77	40	3.25	15	1000	80	WRS1353000-#**
1.45	80	40	2.91	15	1000	80	WRS1453000-#**
<b>4000VDC (1500VAC)</b>							
0.1	44	40	31.8	15	1500	40	WRS1044000-#**
0.22	57	40	14.5	15	1500	55	WRS2244000-#**
0.33	69	40	10.1	15	1500	65	WRS3344000-#**
0.47	74.5	40	7.45	15	1500	75	WRS4744000-#**
0.68	76	40	5.62	15	1500	80	WRS6844000-#**
0.8	78.5	40	4.98	15	1000	80	WRS8044000-#**
0.9	83	40	4.60	15	1000	80	WRS9044000-#**
1.0	87.5	40	4.31			80	WRS1054000-#**
<b>5000VDC (2000VAC)</b>							
0.05	38.5	54	63.7	30	3000	35	WRS5035000-#**
0.068	44	54	46.9	30	3000	40	WRS6835000-#**
0.1	53	54	31.8	30	2500	50	WRS1045000-#**
0.12	58	54	26.6	30	2500	58	WRS1245000-#**
0.15	64.5	54	21.2	30	2000	63	WRS1545000-#**
0.18	70	54	17.7	30	2000	73	WRS1845000-#**
0.2	74	54	15.9	30	2000	73	WRS2045000-#**
0.25	74	54	12.7	30	2000	73	WRS2545000-#**
0.3	73.5	54	11.1	30	1800	73	WRS3045000-#**
0.33	77	54	10.1	30	1800	78	WRS3345000-#**
0.47	78	54	7.45	30	1800	78	WRS4745000-#**
0.55	76.5	54	6.66	30	1800	78	WRS5545000-#**
0.68	77	54	5.62	30	1500	78	WRS6845000-#**
0.7	78	54	5.69	30	1500	80	WRS7045000-#**
0.8	79	54	4.98	30	1200	80	WRS8045000-#**
0.9	79	54	4.60	30	1200	80	WRS9045000-#**
1	83	54	4.31	30	1000	80	WRS1055000-#**
1.1	87	54	4.05	30	1000	80	WRS1155000-#**

备注: 1. "-" 表示容量偏差。"- " = capacitance tolerance code, M=±20%,K=±10%,J=±5%,

2. "ESR". "Ls"均为典型值。"ESR". "Ls"are typical values

3. 其他容量, 尺寸系列可按用户需求商定。Other values and dimensions is available on request